

Galaxy[®]



Outdoor WDR IR Bullet Camera

Outdoor WDR IR Bullet Camera, 1/3" Sony Super HAD CCD II, 600 TV Line Resolution, 0Lux at IR ON, 25pcs IR LEDs, Day & Night Function, OSD, 3.6mm Lens, DC12V

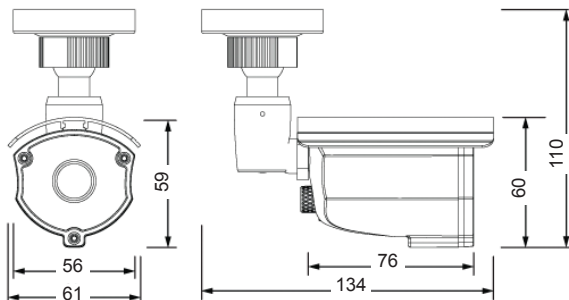


Specifications

| | |
|---|---|
| Model | SVB325 |
| Resolution | 600 TV Lines |
| Sensor | 1/3 inch SONY Super HAD CCD II |
| Total Pixels | 811(H) x 508(V) 410K pixels (NTSC) 795(H) x 595(V) 470K pixels (PAL) |
| Effective Pixels | 768(H) x 494(V) 380K pixels (NTSC) 752(H) x 582(V) 440K pixels (PAL) |
| Scanning System | 2:1 Interlace |
| Frequency | Horizontal : 15.734KHz / Vertical : 59.94Hz (NTSC) Horizontal : 15.625KHz / Vertical : 50.00Hz (PAL) |
| S/N (Y signal) | More than 52 dB (AGC off) |
| Video Output | CVBS : 1.0Vp-p / 75ohm |
| Min. Illumination | 0 Lux at IR On |
| White Balance | ATW / AWC / PUSH/ MANUAL Adjustable |
| Electronic shutter Speed | Auto / Manual (1/60 sec ~ 1/100,000 sec NTSC) (1/50 sec ~ 1/100,000 sec PAL) |
| WDR (Long and Short exposure) | ON / OFF Selectable |
| O.S.D | Built-in |
| Backlight Compensation | BLC: LOW, MIDDLE, HIGH, OFF Selectable |
| AGC (Auto Gain Control) | LOW, MIDDLE, HIGH, OFF Selectable |
| 3DDNR (3D Digital Noise Reduction) | Low, Middle, High, Off |
| Day & Night | AUTO (Day&Night time Change) , CDS , COLOR , B/W |
| Motion Detection | ON (240 zone) / OFF |
| PRIVACY | ON (6 Zone) / OFF |
| Image Conversion | FREEZE / V-FLIP / H-FLIP / ROTATE / NEGA : All ON/OFF Adjustable |
| DIS (Digital Image Stabilizer) | ON / OFF |
| LSC (Lens Shading Compensation) | ON / OFF |
| Digital Zoom | ON (x1~x10) / OFF |
| Sharpness | ADJUSTABLE |
| Operating Temperature/ Humidity | -10deg.C ~ +50deg.C / 30% ~ 80% RH |
| Storage Temperature / Humidity | -20deg.C ~ +60deg.C / 20% ~ 90% RH |
| Power | DC12V Only |
| LED | 25 pcs |
| Lens | Fixed Lens 3.6mm |

Features

- 1/3" SONY SUPER HAD CCD II
- WDR (Long and Short exposure) Function
- High Resolution (600 TVL) / High Sensitivity (sense up x 256)
- Upgraded Waterproof Housing (IP67 Rating)
- 0 Lux at IR ON (IR LED 25pcs)
- OSD Controlled / Motion (240 Zone) / Privacy
- True Day & Night / 3DDNR / HLM
- Easy Installation / 3 Axis Concealed Bracket
- Lens: 3.6mm Fixed Lens



Made in Korea

3 Year Warranty

Galaxy[®]



Outdoor WDR IR Bullet Camera

Outdoor WDR IR Bullet Camera, 1/3" Sony Super HAD CCD II, 600 TV Line Resolution, 0Lux at IR ON, 25pcs IR LEDs, Day & Night Function, OSD, 3.6mm Lens, DC12V

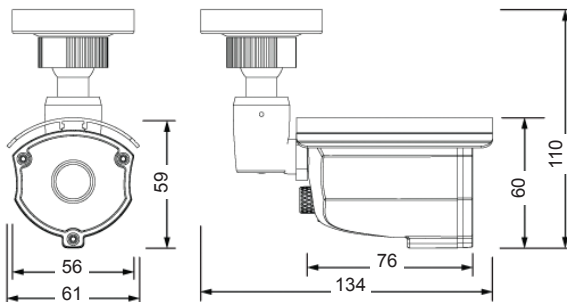


Specifications

| | |
|------------------------------------|---|
| Model | SVB325 |
| Resolution | 600 TV Lines |
| Sensor | 1/3 inch SONY Super HAD CCD II |
| Total Pixels | 811(H) x 508(V) 410K pixels (NTSC) 795(H) x 595(V) 470K pixels (PAL) |
| Effective Pixels | 768(H) x 494(V) 380K pixels (NTSC) 752(H) x 582(V) 440K pixels (PAL) |
| Scanning System | 2:1 Interlace |
| Frequency | Horizontal : 15.734KHz / Vertical : 59.94Hz (NTSC) Horizontal : 15.625KHz / Vertical : 50.00Hz (PAL) |
| S/N (Y signal) | More than 52 dB (AGC off) |
| Video Output | CVBS : 1.0Vp-p / 75ohm |
| Min. Illumination | 0 Lux at IR On |
| White Balance | ATW / AWC / PUSH/ MANUAL Adjustable |
| Electronic shutter Speed | Auto / Manual (1/60 sec ~ 1/100,000 sec NTSC) (1/50 sec ~ 1/100,000 sec PAL) |
| WDR (Long and Short exposure) | ON / OFF Selectable |
| O.S.D | Built-in |
| Backlight Compensation | BLC: LOW, MIDDLE, HIGH, OFF Selectable |
| AGC (Auto Gain Control) | LOW, MIDDLE, HIGH, OFF Selectable |
| 3DDNR (3D Digital Noise Reduction) | Low, Middle, High, Off |
| Day & Night | AUTO (Day&Night time Change) , CDS , COLOR , B/W |
| Motion Detection | ON (240 zone) / OFF |
| PRIVACY | ON (6 Zone) / OFF |
| Image Conversion | FREEZE / V-FLIP / H-FLIP / ROTATE / NEGA : All ON/OFF Adjustable |
| DIS (Digital Image Stabilizer) | ON / OFF |
| LSC (Lens Shading Compensation) | ON / OFF |
| Digital Zoom | ON (x1~x10) / OFF |
| Sharpness | ADJUSTABLE |
| Operating Temperature/ Humidity | -10deg.C ~ +50deg.C / 30% ~ 80% RH |
| Storage Temperature / Humidity | -20deg.C ~ +60deg.C / 20% ~ 90% RH |
| Power | DC12V Only |
| LED | 25 pcs |
| Lens | Fixed Lens 3.6mm |

Features

- 1/3" SONY SUPER HAD CCD II
- WDR (Long and Short exposure) Function
- High Resolution (600 TVL) / High Sensitivity (sense up x 256)
- Upgraded Waterproof Housing (IP67 Rating)
- 0 Lux at IR ON (IR LED 25pcs)
- OSD Controlled / Motion (240 Zone) / Privacy
- True Day & Night / 3DDNR / HLM
- Easy Installation / 3 Axis Concealed Bracket
- Lens: 3.6mm Fixed Lens



Made in Korea

3 Year Warranty